

Submersible Drainage Pump XJ 50

SULZER

Specification

Electric submersible pump.

Maximum submergence: 20 m. Protection class IP 68.

Max temperature of pumped medium at max power input and continuous duty 40 °C.

Max medium density 1100 kg/m³. pH of the pumped medium 5-8.

Strainer hole: 7.5 x 22 mm. Max number of starts 30/hour.

| | |
|---------------------|----------------------|
| XJ 50 ND | Medium head, 3-phase |
| XJ 50 ND AT* | Medium head, 3-phase |
| XJ 50 LD | High flow, 3-phase |
| XJ 50 LD AT* | High flow, 3-phase |
| XJ 50 HD | High head, 3-phase |
| XJ 50 HD AT* | High head, 3-phase |

*AquaTronic: Built-in electronic pump control.

Electric motor

3-phase squirrel-cage induction motor, 50 Hz.

Service factor 1.1. Class F insulation.

Motor rating P₂: 5.6 kW. 2 pol. Speed: 2930 rpm.

η: 86.7 (50 %), 90.8 (75 %), 89.6 (100 % load)

| Voltage, V | 230 | 400 | 500-550 | 690 | 1000 |
|--------------------|------|------|------------|-----|------|
| Nominal current, A | 19.7 | 11.3 | 9.0 - 10.8 | 6.6 | 4.5 |

Starting method and motor protection

XJ 50 AT: Direct on line start (DOL 400-550 V) with built in AquaTronic unit, which automatically adjusts phase order by dual contactors, ensuring correct motor rotation.

Soft start is built in with the AquaTronic unit at 230 V, where three thyristors reduces start current to three times the nominal current. Here two relays ensures correct motor rotation. Soft start is available as option at 400 V.

The AquaTronic unit monitors motor temperature, by use of NTC thermistors built into stator windings, and stops the motor at high temperature. It will also stop the motor at high amperage or if a phase is missing.

XJ 50: Direct on line start with built in contactor. Pumps to be used with VFD or 1000 V must have terminal block instead of contactor. Thermal switches (140 °C, ±5) built into the stator windings are connected to the contactor and stop the pump at high temperature.

Power cable

20 m type H07RN8-F (standard cable):

4 x 2.5 sq.mm. (230 V)

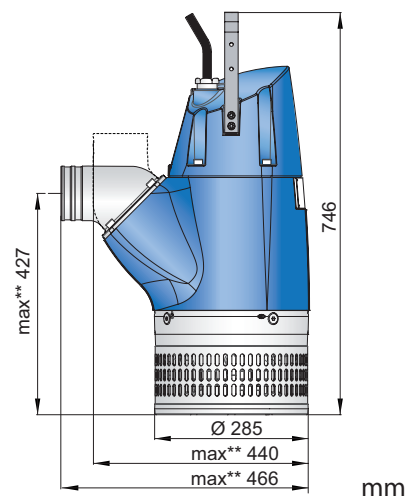
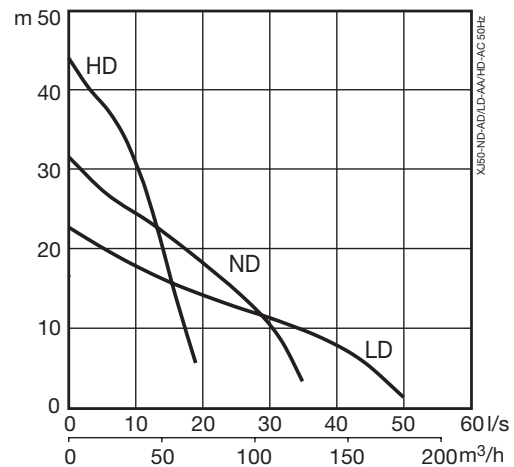
4 x 1.5 sq.mm. (400-690 V)

20 m type NSSHÖU.../3E (heavy duty cable):

3x2.5+3x2.5/3E+3x1.5 (3 control cables included) (1000 V or terminal block)

3x2.5+3x2.5/3E (230 V)

3x1.5+3x1.5/3E (400-690 V)



** Max measurement based on largest discharge size.

Shaft seal

Double mechanical seal in oil bath.

Primary seal: Silicon carbide on silicon carbide.

Secondary seal: Silicon carbide on carbon.

Bearings

Upper bearing: Single-row deep groove ball bearing.

Lower bearing: Double angular contact ball bearing.

Discharge connections

3" (standard HD), 4" (standard ND), 6" (standard LD) hose connections.

3", 4", 6" G/B.S.P. threaded connections.

Weight

59 kg (without cable)

Options and accessories

AquaPlug. AquaTronic control panel. Level sensor. Service data kit.

Zinc anodes. Surface protection coating. Series connection.

Floatation system. Discharge connection accessories and hose.

Pump control

| Features | XJ 50 | XJ 50 AT | | | | |
|--|-------|----------|-------------------|--|---|---------------------------|
| | | AT | AT + Level Sensor | AT + AquaPlug / AquaTronic Control Panel | AT + AquaPlug / AquaTronic Control Panel + Level Sensor | Service Data Kit Read out |
| Run mode | X | X | X | X | X | |
| Integrated start equipment | X | X | X | X | X | |
| Automatic direction of rotation | | X | X | X | X | |
| Motor protection high temp | X | X | X | X | X | X |
| Motor protection high amp | | X | X | X | X | X |
| Protection against missing phase | | X | X | X | X | X |
| Level control | | | X | | X | |
| Dry run protection | | | X | | X | |
| Automatic restarting | | | X | | X | |
| Stop mode | | | | X | X | |
| E-mode (Automatic stop/run) | | | | | X | |
| Indication of water in oil | | | | X | X | X |
| Indication of low motor insulation | | | | X | X | X |
| Indication of high or low voltage | | | | XX | XX | X |
| Indication of high temperature | | | | XX | XX | X |
| Indication of high amp | | | | XX | XX | X |
| Indication of phase unbalance | | | | XX | XX | X |
| USB cable connection | | X | X | X | X | X |
| Crash log (10 latest) | | | | | | X |
| Documentation (spare part list, workshop manual) | | | | | | X |

XX = Fault indication when pump is automatically stopped to protect the motor.

Materials

| Description | Material | EN | ASTM |
|----------------------|--------------------------------|-------------------------------|-------------------------|
| Castings | Aluminium | EN 1706:AC-43100 | ASTM AlSi10mg |
| Strainer / Handle | Stainless steel | 10088:X5CrNi18-10 (1.4301) | AISI 304 |
| Rotor shaft | Stainless steel | 10088:X20Cr13 (1.4021) | AISI 420 |
| Impeller / Wear ring | White cast iron | EN-GJN-HV600(XCr23) | ASTM A 532: Alloy III A |
| Fasteners | Stainless steel | 10088:X5CrNiMo 17122 (1.4401) | AISI 316 |
| Wear parts / O-rings | Nitrile rubber | | |
| Coating | 2 component epoxy paint 120 µm | | |